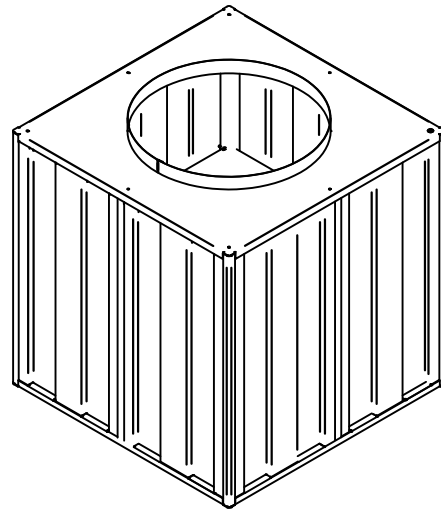
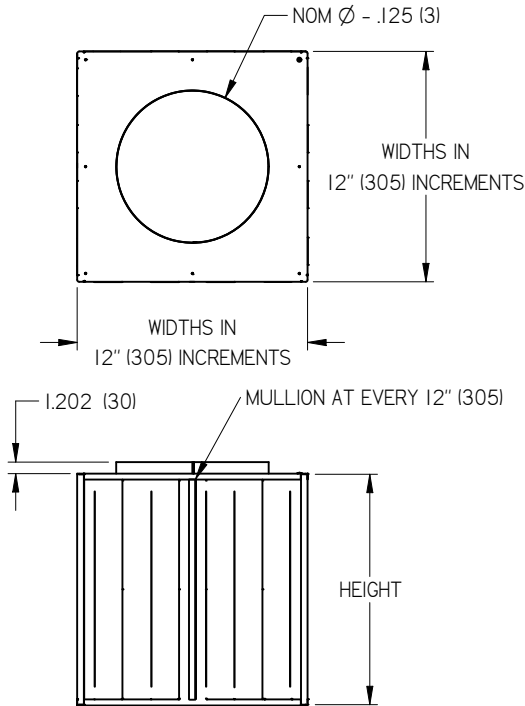
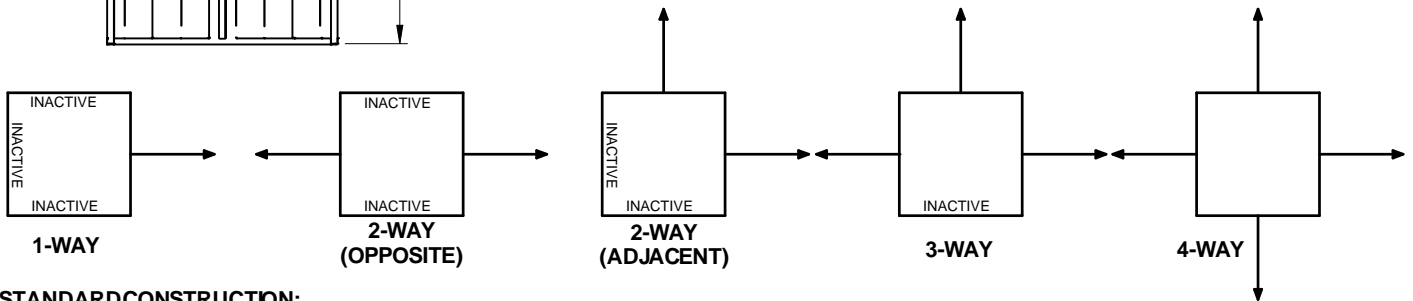


DFXi - INDUSTRIAL DISPLACEMENT VENTILATION DIFFUSER

INLET CONVERSION	
IMPERIAL	METRIC
8	203
10	254
12	305
14	356
16	406
18	457
20	508
22	559
24	610
26	660
28	711
30	762
32	813
34	864
36	914
38	965
40	1016
42	1067



AIR PATTERNS



STANDARD CONSTRUCTION:

- 18 ga. CORRUGATED STEEL FACES
- 14 ga. STEEL TOP AND BOTTOM PANELS
- EXTRUDED ALUMINUM MULLIONS / FRAMES

OPTIONS:

- FORKLIFT ARM SUPPORTS

FINISH:

- B12 WHITE (OPTIONAL FINISHES AVAILABLE)

FLOW PATTERNS:


- 1-W - ONE WAY FLOW
- 2-WA - TWO WAY FLOW, TWO ADJACENT SIDES
- 2-WO - TWO WAY FLOW, TWO OPPOSITE SIDES
- 3-W - THREE WAY FLOW
- 4-W - FOUR WAY FLOW

NOTES:

- SQUARE UNITS ONLY
- WIDTHS AVAILABLE ONLY IN 12" (305) INCREMENTS
- HEIGHTS AVAILABLE FROM 12" (305) TO 96" (2438) IN 1" (25) INCREMENTS
- MINIMUM SIZE: 12" X 12" X 12" (305 X 305 X 305)
- MAXIMUM SIZE: 48" X 48" X 96" (1219 X 1219 X 2438)
- FACTORY TOLERANCE: +/- 1/16" (2)

UNIT SIZE	INLET SIZE	
	STANDARD	SPECIAL
12 (305) X 12 (305)	8	10
24 (610) X 24(610)	16	10,12,14,18,20
36 (915) X 36 (915)	22	16,18,20,24,26,28,30,32
48 (1219) X 48 (1219)	32	24,26,28,30,34,36,38,40,42

ALL METRIC DIMENSIONS () ARE SOFT CONVERTED. IMPERIAL DIMENSIONS ARE CONVERTED TO METRIC AND ROUNDED TO THE NEAREST MILLIMETER.

PROJECT:		PRICE
ENGINEER:		
CUSTOMER:		
SUBMITTAL DATE:		243578
SPEC. SYMBOL:		JULY 2011
DFXi INDUSTRIAL DISPLACEMENT VENTILATION DIFFUSER		